

INSTALLATION & MAINTENANCE MANUAL
EMPOWER2 / EMPOWERW2



230V 50Hz IP 20

□

⊘

⊘



GENERAL INSTRUCTIONS

These instructions should be read carefully and retained after installation by the end user for future reference and maintenance.

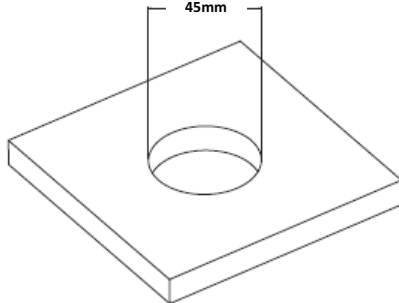
These instructions should be used to aid installation of the following products:

EMPOWER2 / EMPOWERW2

SAFETY

- Installation of this luminaire should only be carried out by a qualified electrician or competent person to the latest Building and current IEE Wiring Regulations (BS7671)
- Please isolate mains prior to installation/maintenance
- Check the total load on the circuit (including when this luminaire is fitted) does not exceed the rating of the circuit cable, fuse or circuit breaker
- Please note the IP (Ingress of Protection) rating of this luminaire when deciding the location for installation
- Installing in areas where the temperature consistently drops below 0°C may shorten the battery life /duration
- We recommend a minimum charge period of 24 hours before doing an emergency duration test
- This product is Class II double insulated
- This product is non-dimmable
- This product is IP20 rated

INSTALLATION



- Provide power to the required point of installation
- Prepare cut-out in the desired surface as per the cut-out details in Fig 1, ensuring that it does not infringe with electrical cables, water/gas pipes or ceiling joists

Fig 1

- Connect the luminaire to the mains supply via a suitable junction box ensuring the correct polarity is observed (see Fig 2). Live (brown), Neutral (blue) & Switched Live (red)

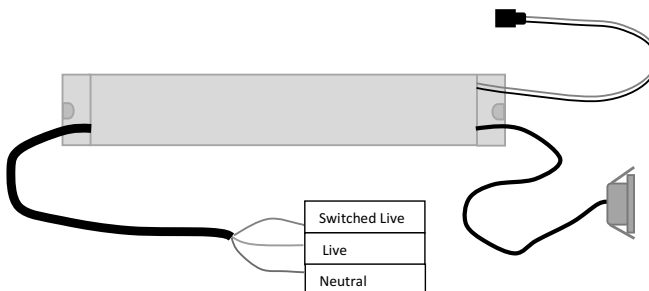


Fig 2

- Connect the battery to the inverter (see Fig 3)

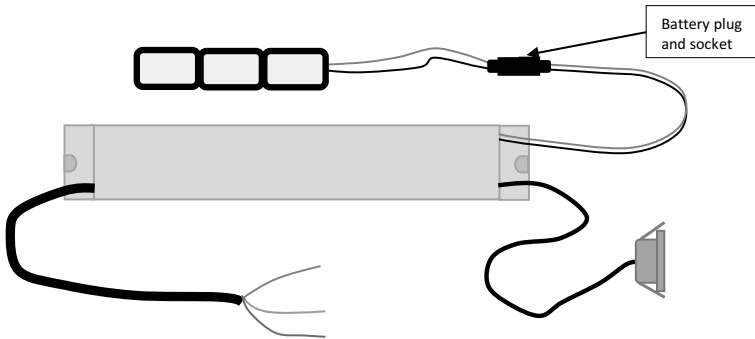


Fig 3

- Place the inverter and battery pack into the ceiling via the cut-out
- Push the spring clips either side of the fitting up and locate into ceiling
- Switch on power supply and ensure that the green LED indicator is illuminated

GENERAL

The LED lamps fitted in this product are non-replaceable. The product should be recycled in the correct manner when it reaches the end of its life. Check local authorities for where facilities exist. If the batteries have been left in a discharged state for a long period of time we recommend that it be charged and discharged, through several cycles, which should restore the battery to its full capacity.

The batteries in this product are Nickel Cadmium and must be disposed of correctly. Please contact the local authorities for the disposal of this toxic waste.

Clean with a soft dry cloth only, do not use aggressive cleaning products or solvents which may damage the product.

WARNING

This product must be disconnected from the circuit if subjected to any high voltage or insulation resistance testing. Irreparable damage will occur if this instruction is not followed.

WARRANTY

This product has a warranty of 3 years (excluding battery) from date of purchase. Failure to install this product in accordance with the current edition of the IEE Wiring Regulations, improper use, or removal of the batch codes will invalidate the warranty. If this product should fail within its warranty period it should be returned to the place of purchase for a free of charge replacement. ML Accessories does not accept responsibility for any installation costs associated with the replacement product. Your statutory rights are not affected. ML Accessories reserve the right to alter product specification without prior notice.

TESTING FOR EMERGENCY LUMINAIRES

Recommended routine test procedure in accordance with BS5266

Daily check – check LED charge indicator is illuminated

Monthly functional test – simulate a mains supply failure for approx. 30 seconds by operation of key switch or switching off circuit breaker. Ensure normal supply is restored after test and ensure charge indicator is illuminated

Twice yearly conduct a one hour duration test - simulate a mains supply failure for a one hour continuous test by operation of key switch or switching off circuit breaker. Ensure normal supply is restored after test and ensure charge indicator is illuminated

Annual full three hour duration test - conduct a three hour continuous duration test. Simulate a mains supply failure for a three hour continuous test by operation of key switch or switching off circuit breaker. Ensure normal supply is restored after test and ensure charge indicator is illuminated
If the luminaire fails any of the above tests, please contact a qualified electrician

TEST RECORD SHEET

		FIRST YEAR		SECOND YEAR		THIRD YEAR		FOURTH YEAR		FIFTH YEAR	
MONTH	TEST										
		SIGNED	DATE	SIGNED	DATE	SIGNED	DATE	SIGNED	DATE	SIGNED	DATE
1	FUNCTIONAL										
2	FUNCTIONAL										
3	FUNCTIONAL										
4	FUNCTIONAL										
5	FUNCTIONAL										
6	1 HOUR										
7	FUNCTIONAL										
8	FUNCTIONAL										
9	FUNCTIONAL										
10	FUNCTIONAL										
11	FUNCTIONAL										
12	3 HOUR										

Installed by:

Installation date:

Contact number:



ML Accessories Limited
LU5 5TA

www.mlaccessories.co.uk

SBJUN17_V1