

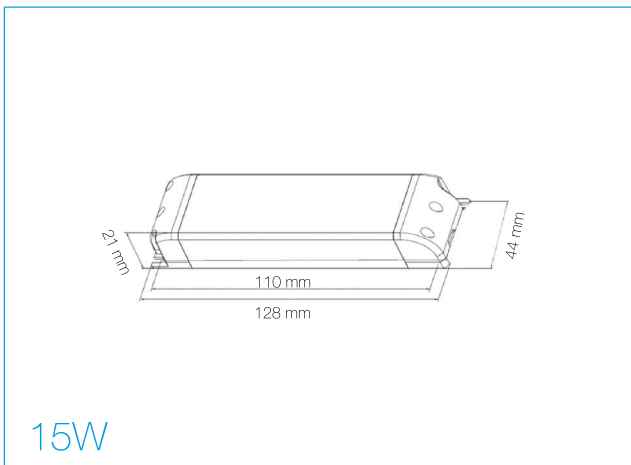
TECHNICAL DATASHEET

ADRCV1215
15W 12V DC CONSTANT VOLTAGE



PRODUCT FEATURES

- Constant Voltage LED Power Supply
- Moulded Polycarbonate Body
- Overload Protection
- Regulated Output
- Thermal Cutout
- SELV Rated



PRODUCT CODE	ADRCV1215
Operating Voltage	220-240 V AC
Output Voltage	12V DC
Output Wattage	0-15W
Output Current (Max.)	1.25A
Temperature	-15~+45°C