

TECHNICAL DATASHEET

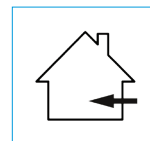
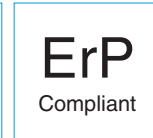
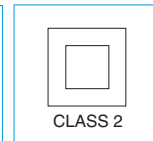
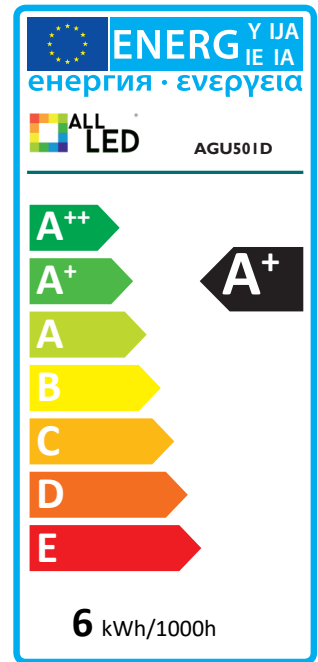
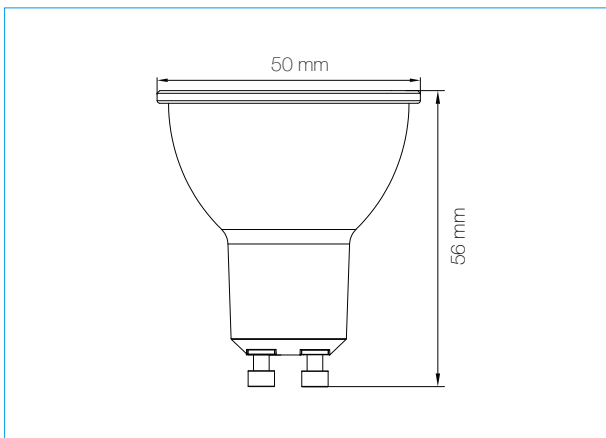
AGU501D

5.5W High Output LED COB GU10



PRODUCT FEATURES

- Halogen Style Lens
- High Efficiency
- Full PC +AL Jacket
- Superb Dimming
- Wide Compatibility



| PRODUCT CODE | AGU501D/27 | AGU501D/30 | AGU501D/40 | AGU501D/60 |
|--------------------------|---------------|---------------|---------------|---------------|
| Power | 5.5W | 5.5W | 5.5W | 5.5W |
| Lumens | ≤460 lm | ≤480 lm | ≤500 lm | ≤510 lm |
| Colour Temperature | 2700K | 3000K | 4000K | 6000K |
| Beam Angle | 40° | 40° | 40° | 40° |
| CRI | CRI>80 | CRI>80 | CRI>80 | CRI>80 |
| Lifetime (Hours to lm70) | 25,000 H | 25,000 H | 25,000 H | 25,000 H |
| Voltage | 220-240V AC | 220-240V AC | 220-240V AC | 220-240V AC |
| IP | IP40 | IP40 | IP40 | IP40 |
| Temperature | -20°C ~ +50°C | -20°C ~ +50°C | -20°C ~ +50°C | -20°C ~ +50°C |

*NOT INCLUDED, ADDITIONAL PURCHASE REQUIRED