



Technical Data

Data Outlets

Brief product description:

The subtle design will blend with any décor - suitable for domestic or commercial installations.

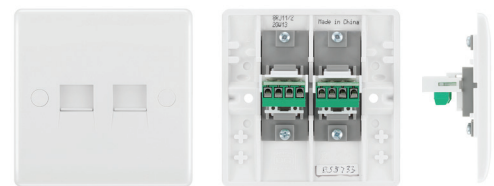
Features:

- White moulded round edge, sleek and slim with softly rounded edges
- Shuttered socket
- RJ45 with IDC terminals
- Cat 6 outlet supports data transfer speeds of up to 10Gbps at 250MHz up to 164 feet
- Screw cover caps for a sleek appearance
- Anti-microbial certified - manufactured using high grade thermoset Urea which effectively inhibits the growth of infectious diseases, including MRSA, E-Coli, Salmonella and Klebsiella Pneumonia bacteria

Product Images



8RJ11/1



8RJ11/2



8RJ45/1



8RJ45/2

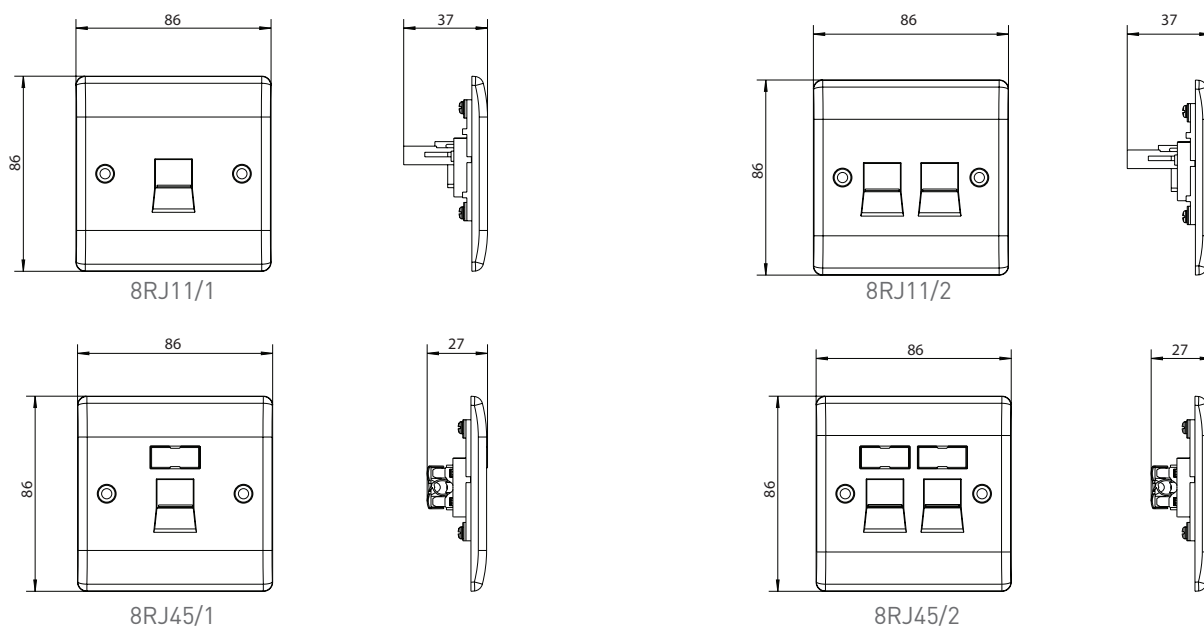
Technical Specifications

Standard(s)	BS 6312-2
Terminal Type	Screwed (8RJ11/1, 8RJ11/2 products) IDC (8RJ45/1, 8RJ45/2 products)
RJ45 Type	Cat 6
Data Transfer Speed	up to 10Gbps at 250MHz up to 164 feet
RoHS Directive	Yes
WEEE Directive	Yes
Mounting Box Depth (Min)	35mm
Fixing Centres	60.3mm



Intertek
Lic No. 1163

Line Diagrams



Packaging Information

Cat No.	Description	Packaging Type			Pack Quantity			Barcode		
		Product	Inner Box	Outer Box	Each	Inner Box	Outer Box	Individual	Inner Box	Outer Box
8RJ11/1	1G TEL SKT (SCREW)	Printed Bag	Printed Carton	Printed Carton	1	10	100	5050765002479	5050765002486	5050765002493
8RJ11/2	2G TEL SKT (SCREW)	Printed Bag	Printed Carton	Printed Carton	1	10	100	5050765002509	5050765002516	5050765002523
8RJ45/1	1G RJ45 SKT (IDC)	Printed Bag	Printed Carton	Printed Carton	1	10	100	5050765002530	5050765002547	5050765002554
8RJ45/2	2G RJ45 SKT (IDC)	Printed Bag	Printed Carton	Printed Carton	1	10	100	5050765002561	5050765002578	5050765002585

Weights & Dimensions

Cat No.	Description	Dimensions (H x W x D) cm				Weight (kg)				CBM (m ³)
		Unpacked Product	Packed Product	Inner Box	Outer Box	Unpacked Product	Packed Product	Inner Box	Outer Box	Outer Box
8RJ11/1	1G TEL SKT (SCREW)	8.6 x 8.6 x 3.7	19.2 x 12.8 x 3.9	9.5 x 18.7 x 16.7	20.6 x 48.5 x 35.2	0.078	0.082	0.72	7.61	0.03517
8RJ11/2	2G TEL SKT (SCREW)	8.6 x 8.6 x 3.7	19.2 x 12.8 x 3.9	9.5 x 18.7 x 16.7	20.6 x 48.5 x 35.2	0.078	0.082	0.87	9.11	0.03517
8RJ45/1	1G RJ45 SKT (IDC)	8.6 x 8.6 x 2.7	17.0 x 12.0 x 2.9	9.5 x 14.7 x 18.2	20.1 x 30.3 x 49.8	0.057	0.059	0.65	6.90	0.03033
8RJ45/2	2G RJ45 SKT (IDC)	8.6 x 8.6 x 2.7	17.0 x 12.0 x 2.9	9.5 x 14.7 x 18.2	20.1 x 30.3 x 49.8	0.057	0.059	0.81	8.54	0.03033