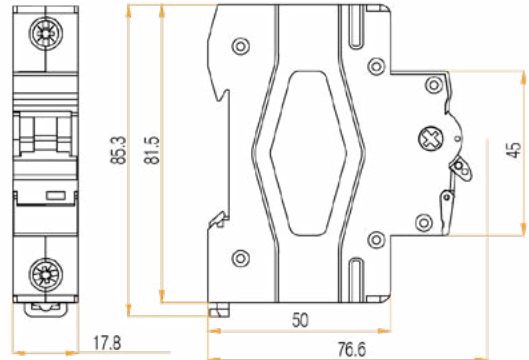


Product Code: CU1MCB25C

Luckinslive 425299742

Description: 1 Pole True 6kA C Curve 25A MCB



### General Information

|   |                                |
|---|--------------------------------|
| Dimensions (mm)                                     | 17.8 (W) x 85.3 (H) x 76.6 (D) |
| Colour  | Light Grey                     |
| Rated Operational Voltage (AC) (Ue)                 | 230/400                        |
| Frequency (Hz)                                      | 50/60                          |
| Maximum Rated Current (A) (In)                      | 25                             |
| Rated Breaking Capacity (True kA) (Ics)             | 6                              |
| Rated Insulation Voltage (V) (Ui)                   | 500                            |
| Impulse Withstand Voltage (Uimp)                    | 4000                           |
| Endurance Mechanical Operations                     | 20000                          |
| Endurance Electrical Operations                     | 8000                           |
| Trip Curve  | C                              |
| Trip Type   | Thermal/Magnetic Release       |
| Thermal Operating limit                             | (1.13-1.45) x In               |
| Magnetic Operating Characteristics                  | (5-10) x In                    |
| Device Terminals                                    | Screwed Lug & Pin              |
| MCB Terminal Capacity - Flexible (mm <sup>2</sup> ) | 16                             |
| MCB Terminal Capacity - Rigid (mm <sup>2</sup> )    | 25                             |
| MCB Terminal Torque (Nm)                            | 2                              |
| Number Of Poles                                     | 1                              |
| Ingress Protection                                  | IP20                           |
| Operational Temperature (°C)                        | -5 to +40                      |
| Warranty (Years)                                    | 3                              |

**Standards** BS EN 60898-1

**Additional Information** For cleaning / polishing of products, use only a soft, dry, clean cloth.

