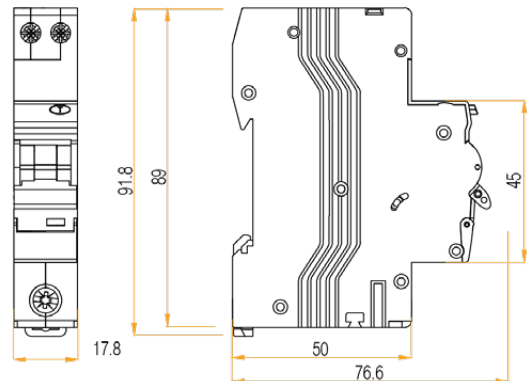


Product Code: CU1RCBO6B

Description: 1 Pole True 6kA B Curve 6A 30mA RCBO



General Information

Overall Dimensions (mm)	17.8 (W) x 91.8 (H) x 76.6 (D)
Finish	Light Grey (RAL 7035)
Rated Operational Voltage (V~) (Ue)	240
Frequency (Hz)	50/60
Maximum Rated Current (A) (In)	6
Rated Breaking Capacity (True kA) (Ics)	6
Impulse Withstand Voltage (Uimp)	4000
Endurance Mechanical Operations	20000
Endurance Electrical Operations	5000
Type	A
Trip Curve	C
Rated Making & Breaking Capacity (A) (Im)	500
Tripping Current (mA) (in)	30
Residual Non-Operating Current (IΔn)	0.5
Trip Type	Ground Fault: Electronic/Electromagnetic Over Current: Thermal/Magnetic
Device Terminals	Screwed Lug & Pin
Number Of Poles	1P + N
Input Terminal Capacity - Flexible (mm²)	25
Input Terminal Capacity - Rigid (mm²)	32
Input Terminal Torque (Nm)	2
Output Terminal Capacity - Flexible (mm²)	16
Output Terminal Capacity - Rigid (mm²)	25
Output Terminal Torque (Nm)	1.2
Circuit Protection	Earth fault, overcurrent & short-circuit
Neutral Tail Length (mm)	450
Ingress Protection	IP20
Operational Temperature (°C)	-25 to +40
Warranty (Years)	3

Standards BS EN 61009-1

