

SPECIFICATION SHEET

EMERGENCY REMOTE BOX FLEXI



The EMLEDKIT2, EMLEDKIT3 and EMLEDKIT90 provide a simple plug-and-play emergency conversion for a range of LED Panels. The units provide a constant power output of 2W, 3W or 3.5W and are operable on LED arrays with a voltage requirement between 9 and 90V DC. The flexi construction enables the unit to be used in confined spaces.

Applications

• Education Providers • Offices • Retail



Image shown EMLEDKIT3

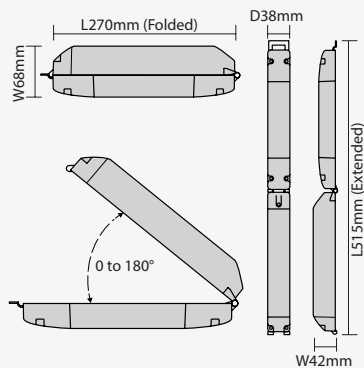
Specification

| | |
|-----------------------------|------------|
| Material: | Plastic |
| Guarantee: | 5 Years |
| Working Temperature: | 5°C - 35°C |

Additional Information

- 3 Hours emergency duration.
- 4VA Power consumption.
- 24 Hours charging time.
- 50/60Hz Mains frequency.
- Complies to IEC 61347-2-7.
- Does not include LED drivers.
- Emergency constant power output of 2W, 3W or 3.5W.
- Manufactured in the UK.
- NiCd 2.4V / NiCd 3.6V / NiMH 4.8V Battery included.
- Operable on LED arrays with a voltage requirement between 9 and 90V DC.
- Protection class 1.
- Suitable for installation to EN50172 and BS7671.
- The battery has a designed service life of 4 years and must be replaced in a timely manner to ensure the integrity of the emergency lighting system is maintained. In any case, the battery should be replaced when it no longer provides the rated duration (3 hours).

Dimensions



| Code | Battery | Forward Voltage | Connectors | Dimensions (Folded L x W x D mm) | Dimensions (Extended L x W x D mm) |
|------------|---------|-----------------|----------------------|----------------------------------|------------------------------------|
| EMLEDKIT2 | 2.4V | 9-55V | Locking 2.1mm DC | 270 x 38 x 68 | 515 x 38 x 42 |
| EMLEDKIT3 | 3.6V | 9-55V | Non-Locking 2.1mm DC | 270 x 38 x 68 | 515 x 38 x 42 |
| EMLEDKIT90 | 4.8V | 55-90V | Locking 2.1mm DC | 270 x 38 x 68 | 515 x 38 x 42 |