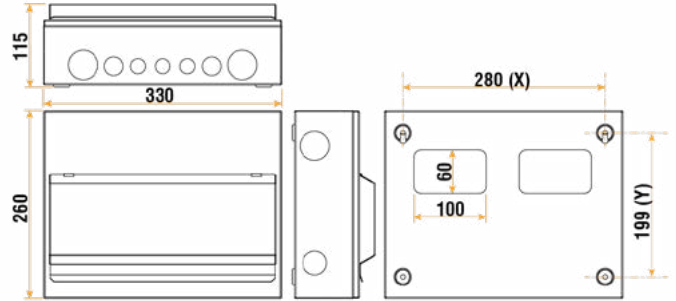


Product Code: CUEHIB14MSRCD8

Luckinslive 425300152

Description: 14 Way Combination (High Integrity) Metal Consumer Unit with 100A Mains Switch
+ 2 x 80A 30mA RCD (8 Free Ways)



General Information

| | | |
|--|--|--------------------------------------|
| Dimensions With Door (mm) | 330 (W) x 260 (H) x 115 (D) | |
| Enclosure Dimensions (mm) | 330 (W) x 260 (H) x 92 (D) | |
| Colour | White | |
| Materials | Enclosure & Cover: Powder Coated Steel | DIN Rail: Galvanised Steel |
| Rated Operational Voltage (AC) (Ue) | 230 | |
| Frequency (Hz) | 50/60 | |
| Maximum Rated Current (A) (In) | 100 | |
| Free Ways | 8 | |
| Total Ways | 14 | |
| Device Terminals | Screwed Lug & Pin | |
| Main Switch Installed | 1 x 100A (CU2MS100) | |
| Main Switch Terminal Capacity (mm ²) | 35 | Main Switch Terminal Torque (Nm) 2.5 |
| RCD Installed | 2 x 80A 30mA RCD (CU2RCD80A) | |
| RCD Terminal Capacity (mm ²) | 25 | RCD Terminal Torque (Nm) 2.5 |
| SPD Installed | 1 x 40kA SPD (CU2SPD275) | |
| Blanks Supplied | 2 (Product Code: CU1BLANK) | |
| E&N Terminals | Screw | |
| E&N Bars Capacity (mm ²) | 16 | E&N Bars Torque (Nm) 2 |
| Tail Clamp Capacity (mm ²) | 25 | Tail Clamp Torque (Nm) 1.5 |
| Enclosure Side Knockouts (Ømm) | 1 x 32 & 1 x 40 | |
| Enclosure Top Knockouts (Ømm) | 3 x 20, 2 x 25 & 2 x 40 | |
| Enclosure Bottom Knockouts (Ømm) | 3 x 20, 2 x 25 & 2 x 40 | |
| Enclosure Rear Knockouts (mm) | 2 x 100 x 60 | |
| Impact Rating | IK05 | |
| Ingress Protection | IP20 | |
| Maximum Humidity (%) | 95 | |
| Storage Temperature (°C) | -40 to +75 | |
| Operational Temperature (°C) | -5 to +40 | |
| Warranty (Years) | 10 | Warranty - Devices (Years) 3 |

Standards BS EN 61439-3, BS EN 60947-3, BS EN 61008-1

Additional Information For cleaning / polishing of products, use only a soft, dry, clean cloth.
Elucian metal consumer units allow compliance with BS 7671 Wiring Regulations

