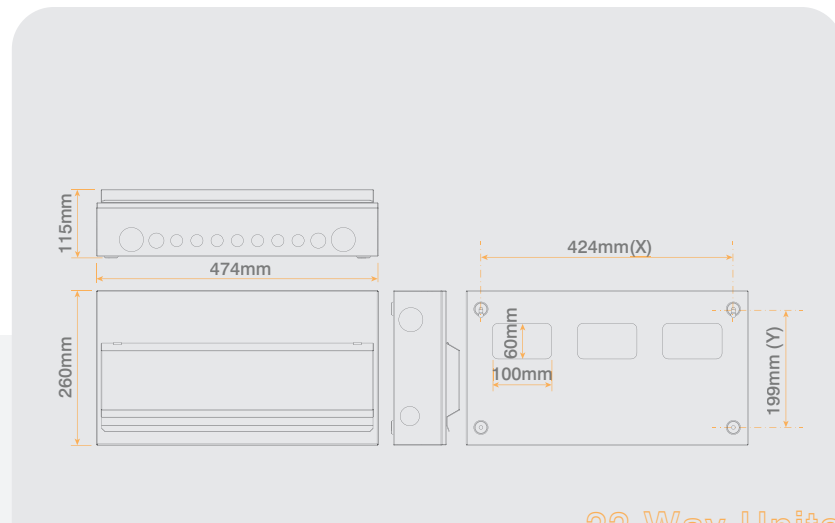


18 Way Units

Board Product Code	CUEB18MS16	CUEB18MSRCD12	CUEB18MSRCDSP10	CUEHIB18MSRCD12
Ingress Protection	IP20			
IK Rating	IK05			
Operational Temperature	-5°C to +40°C			
Tail Clamp Capacity	25mm ²			
Tail Clamp Torque	1.2Nm Max			
CPC & N Bars Capacity	16mm ²			
CPC & N Bars Torque	2.0Nm			
Switch-Disconnecter Fitted	1 x 100A (CU2MS100)	1 x 100A (CU2MS100)	1 x 100A (CU2MS100)	1 x 100A (CU2MS100)
RCD Fitted	-	2 x 80A 30mA RCD (CU2RCD80A)	2 x 80A 30mA RCD (CU2RCD80A)	2 x 80A 30mA RCD (CU2RCD80A)
SPD Fitted	-	-	1 x 40kA SPD (CU2SPD275)	-
Free Ways	16	12 (6+6)	10 (5+5)	12
Nett Weight	4.7kg	5.5kg	5.7kg	5.5kg



22 Way Units

Board Product Code	CUEB22MS20	CUEB22MSRCD16	CUEB22MSRCDSP14	CUEHIB22MSRCD16
Ingress Protection	IP20			
IK Rating	IK05			
Operational Temperature	-5°C to +40°C			
Tail Clamp Capacity	25mm ²			
Tail Clamp Torque	1.2Nm Max			
CPC & N Bars Capacity	16mm ²			
CPC & N Bars Torque	2.0Nm			
Switch-Disconnecter Fitted	1 x 100A (CU2MS100)	1 x 100A (CU2MS100)	1 x 100A (CU2MS100)	1 x 100A (CU2MS100)
RCD Fitted	-	2 x 80A 30mA RCD (CU2RCD80A)	2 x 80A 30mA RCD (CU2RCD80A)	2 x 80A 30mA RCD (CU2RCD80A)
SPD Fitted	-	-	1 x 40kA SPD (CU2SPD275)	-
Free Ways	20	16 (8+8)	14 (7+7)	16
Nett Weight	5.4kg	6.2kg	6.4kg	6.2kg